

We ask that you email us pictures of your island with full frontal view, full top view, and full side views. You do not have to crop or size the pictures. JPG or TIF is recommended. Or you can print this page and Fax it to us @ 631-651-9889



631-923-0770 Office
 631-651-9889 Fax
 631-239-5697 Evenings
 All times EST

Your Name: _____

Your Email: _____

If there is no Backsplash, put N/A for dimensions.

What is the width of the Grill _____" Depth of Grill _____" Height of Grill to highest point _____" What make or manufacturer is the Grill _____

Space from back of Grill to the Backsplash _____"

Depth of the Backsplash _____"

Height of the Backsplash _____"

Depth from front edge
to backsplash _____"

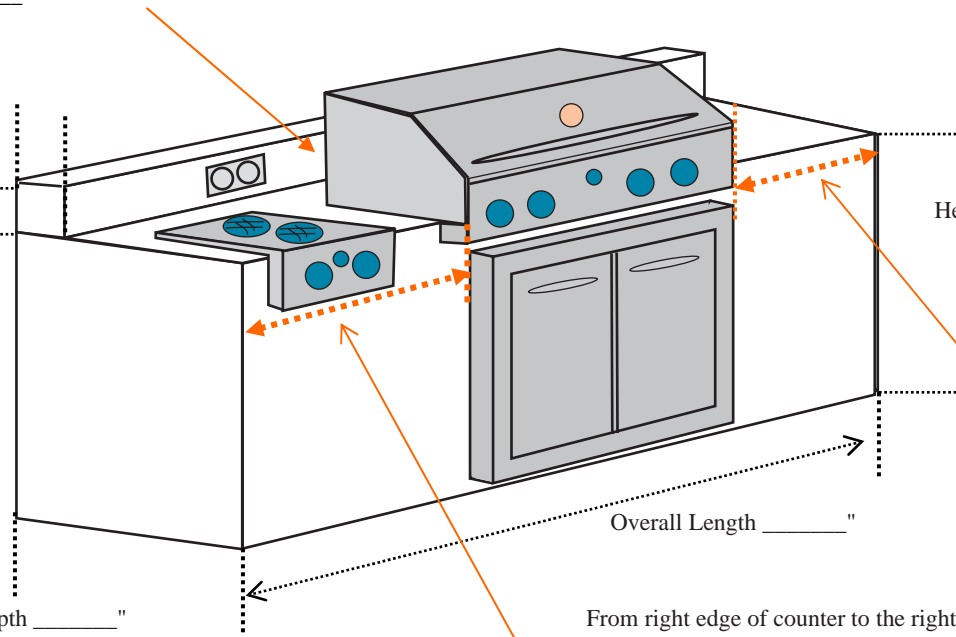
Overall Depth _____"

From left edge of counter to the left side of Grill _____"

Overall Length _____"

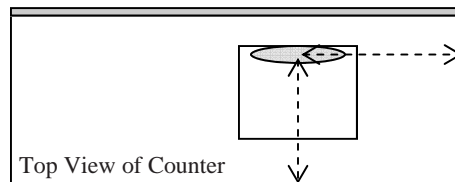
From right edge of counter to the right side of Grill _____"

Height _____"



If you have a Sink, please indicate on drawing.
 Locate the Center of the **Faucet** from at least 2 square edges.

Example:



Height of the Faucett _____"

Diameter of Faucet _____"

Overall Dimensions of Sink: _____"w X _____"d